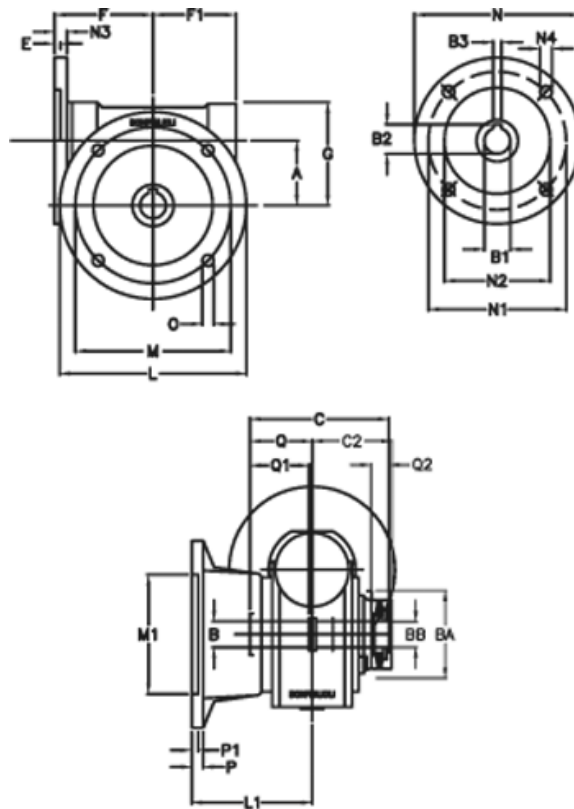


Article number: 390204901042816

Description: Worm Gear with Torque Limiter
VF 49-L1-F-10 P71B14

Measures



a = 49.50	C2 = 63,5	m = 90	P = 12
B = 25	Description = VF 49F-xx-71B14	M1 = 70	P1 = 10
B1 E7 = 14	E = 3.0	N = 105	Q = 51.0
B2 = 16.3	F = 70	N1 = 85	Q1 = 41
B3 H9 = 5	F1 = 63	N2 = 70	Q2 = 15
BA = 63	g = 80	N3 = 10.5	
BB H7 = 14	L = 125	N4 = 6.5	
C = 105	L1 = 85.5	O = 10.5	